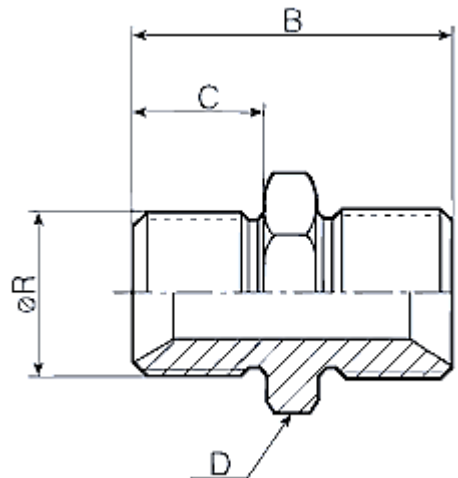


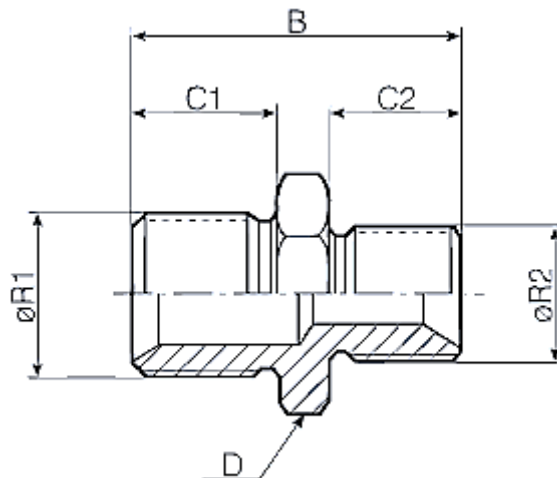
## Egyenes, külső menetes csavarzatok BSP colos menettel



## Műszaki paraméterek:

| Cikkszám | Menet (R) | B [mm] | C [mm] | D [mm] |
|----------|-----------|--------|--------|--------|
| G-1/8    | 1/8"      | 21     | 8      | 14     |
| G-1/4    | 1/4"      | 27     | 10     | 19     |
| G-3/8    | 3/8"      | 32     | 12     | 22     |
| G-1/2    | 1/2"      | 36     | 14     | 27     |
| G-5/8    | 5/8"      | 41     | 16     | 27     |
| G-3/4    | 3/4"      | 42     | 16     | 32     |
| G-1      | 1"        | 47     | 18     | 40     |
| G-1 1/4  | 1 1/4"    | 50     | 19     | 50     |
| G-1 1/2  | 1 1/2"    | 52     | 20     | 60     |
| G-2      | 2"        | 59     | 22     | 70     |

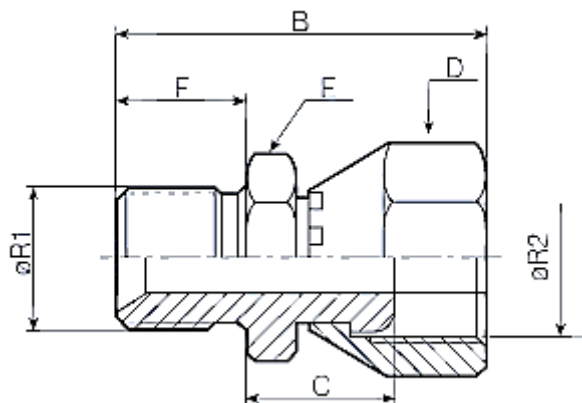
## Egyenes, külső menetes szűkítő csavarzatok BSP colos menettel



## Műszaki paraméterek:

| Cikkszám      | Menet (R1) | Menet (R2) | B [mm] | C1 [mm] | C2 [mm] | D [mm] |
|---------------|------------|------------|--------|---------|---------|--------|
| G-1/8-1/4     | 1/4"       | 1/8"       | 23     | 10      | 8       | 19     |
| G-1/4-3/8     | 3/8"       | 1/4"       | 30     | 12      | 10      | 22     |
| G-1/4-1/2     | 1/2"       | 1/4"       | 32     | 14      | 10      | 27     |
| G-3/8-1/2     | 1/2"       | 3/8"       | 34     | 14      | 12      | 27     |
| G-3/8-3/4     | 3/4"       | 3/8"       | 37     | 16      | 12      | 32     |
| G-1/2-3/4     | 3/4"       | 1/2"       | 40     | 16      | 14      | 32     |
| G-1/2-1       | 1"         | 1/2"       | 42     | 18      | 14      | 40     |
| G-3/4-1       | 1"         | 3/4"       | 45     | 18      | 16      | 40     |
| G-3/4-1 1/4   | 1 1/4"     | 3/4"       | 46     | 19      | 16      | 50     |
| G-1-1 1/4     | 1 1/4"     | 1"         | 48     | 19      | 18      | 50     |
| G-1-1 1/2     | 1 1/2"     | 1"         | 50     | 20      | 18      | 60     |
| G-1 1/4-1 1/2 | 1 1/2"     | 1 1/4"     | 51     | 20      | 19      | 60     |
| G-1-2         | 2"         | 1"         | 52     | 22      | 18      | 70     |
| G-1 1/4-2     | 2"         | 1 1/4"     | 53     | 22      | 19      | 70     |
| G-1 1/2-2     | 2"         | 1 1/2"     | 54     | 22      | 20      | 70     |

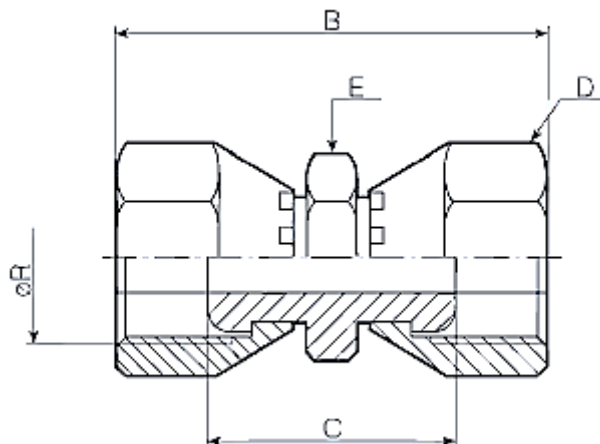
## Egyenes, hollanderes – külső menetes szűkítő csavarzatok BSP colos menettel



## Műszaki paraméterek:

| Cikkszám         | Menet (R1) | Menet (R2) | B [mm] | C [mm] | D [mm] | E [mm] | F [mm] |
|------------------|------------|------------|--------|--------|--------|--------|--------|
| RADG-1/8-1/4     | 1/8"       | 1/4"       | 30     | 15,5   | 18     | 14     | 8      |
| RADG-1/4-3/8     | 1/4"       | 3/8"       | 35     | 19,3   | 22     | 18     | 10     |
| RADG-3/8-1/2     | 3/8"       | 1/2"       | 41,2   | 21,7   | 27     | 22     | 12     |
| RADG-5/8-1/2     | 5/8"       | 1/2"       | 45     | 22,5   | 27     | 27     | 15     |
| RADG-1/2-3/4     | 1/2"       | 3/4"       | 46,5   | 24,5   | 32     | 27     | 14     |
| RADG-3/4-1       | 3/4"       | 1"         | 51     | 25,5   | 38     | 32     | 16     |
| RADG-3/4-1 1/4   | 3/4"       | 1 1/4"     | 56,5   | 33,1   | 50     | 40     | 16     |
| RADG-1-1 1/4     | 1"         | 1 1/4"     | 58,5   | 33,1   | 50     | 40     | 18     |
| RADG-1 1/2-1 1/4 | 1 1/2"     | 1 1/4"     | 61,5   | 34,1   | 50     | 60     | 20     |
| RADG-1 1/4-1 1/2 | 1 1/4"     | 1 1/2"     | 60,5   | 29,8   | 60     | 50     | 19     |
| RADG-1 1/4-2     | 1 1/4"     | 2"         | 62,5   | 34,1   | 70     | 60     | 19     |
| RADG-1 1/2-2     | 1 1/2"     | 2"         | 63,5   | 32,8   | 70     | 60     | 20     |

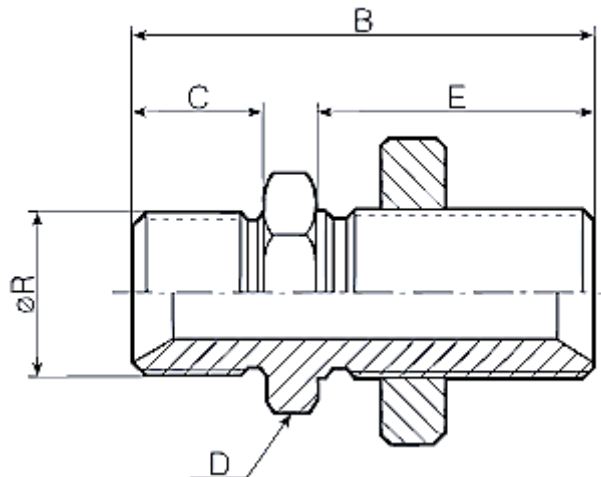
## Egyenes, hollanderes csavarzatok BSP colos menettel



## Műszaki paraméterek:

| Cikkszám   | Menet (R) | B [mm] | C [mm] | D [mm] | E [mm] |
|------------|-----------|--------|--------|--------|--------|
| GVDG-1/8   | 1/8"      | 34     | 22     | 14     | 14     |
| GVDG-1/4   | 1/4"      | 39     | 26     | 18     | 18     |
| GVDG-3/8   | 3/8"      | 43,4   | 32     | 22     | 22     |
| GVDG-1/2   | 1/2"      | 51,2   | 36,2   | 27     | 27     |
| GVDG-3/4   | 3/4"      | 58     | 42     | 32     | 32     |
| GVDG-1     | 1"        | 62     | 43     | 38     | 40     |
| GVDG-1 1/4 | 1 1/4"    | 70,8   | 56     | 50     | 50     |
| GVDG-1 1/2 | 1 1/2"    | 71     | 47,6   | 60     | 60     |
| GVDG-2     | 2"        | 78     | 56,6   | 70     | 70     |

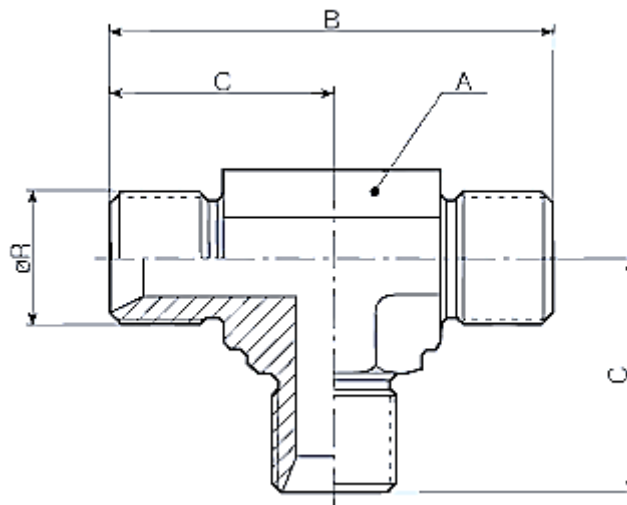
## Egyenes, szerelőfalas csavarzatok BSP colos menettel



## Műszaki paraméterek:

| Cikkszám  | Menet (R) | B [mm] | C [mm] | D [mm] | E [mm] |
|-----------|-----------|--------|--------|--------|--------|
| GSG-1/4   | 1/4"      | 55     | 13     | 18     | 35     |
| GSG-3/8   | 3/8"      | 60     | 14     | 22     | 38     |
| GSG-1/2   | 1/2"      | 63     | 15     | 27     | 39     |
| GSG-3/4   | 3/4"      | 69     | 17     | 32     | 42     |
| GSG-1     | 1"        | 81     | 22     | 40     | 48     |
| GSG-1 1/4 | 1 1/4"    | 84     | 22     | 50     | 50     |
| GSG-1 1/2 | 1 1/2"    | 84     | 22     | 60     | 50     |

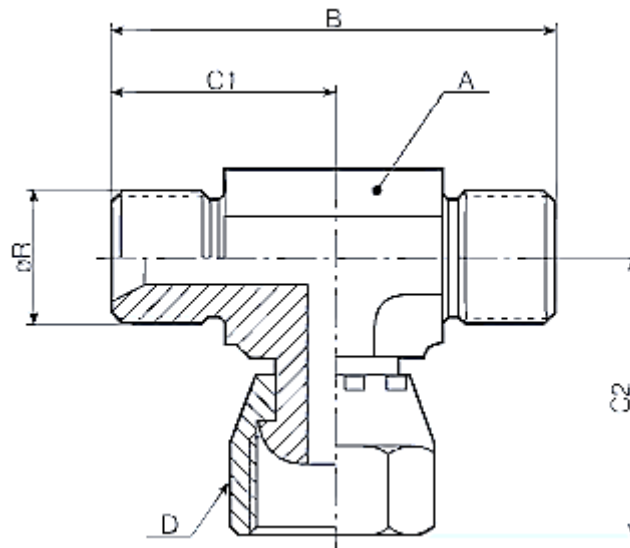
## T – csavarzatok BSP colos menettel



## Műszaki paraméterek:

| Cikkszám | Menet (R) | A [mm] | B [mm] | C [mm] |
|----------|-----------|--------|--------|--------|
| TG-1/8   | 1/8"      | 11     | 40     | 20     |
| TG-1/4   | 1/4"      | 14     | 54     | 27     |
| TG-3/8   | 3/8"      | 19     | 60     | 30     |
| TG-1/2   | 1/2"      | 22     | 74     | 37     |
| TG-3/4   | 3/4"      | 27     | 80     | 40     |
| TG-1     | 1"        | 33     | 96     | 48     |
| TG-1 1/4 | 1 1/4"    | 41     | 104    | 52     |
| TG-1 1/2 | 1 1/2"    | 48     | 118    | 59     |
| TG-2     | 2"        | 58     | 121    | 60,5   |

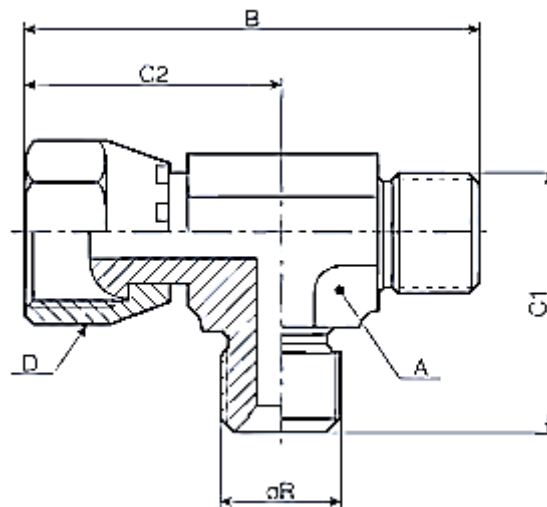
### Beállítható T – csavarzatok („T”) BSP colos menettel



### Műszaki paraméterek:

| Cikkszám  | Menet (R) | A [mm] | B [mm] | C1 [mm] | C2 [mm] | D [mm] |
|-----------|-----------|--------|--------|---------|---------|--------|
| ETG-1/8   | 1/8"      | 11     | 40     | 20      | 23,5    | 14     |
| ETG-1/4   | 1/4"      | 14     | 54     | 27      | 29      | 18     |
| ETG-3/8   | 3/8"      | 19     | 60     | 30      | 34      | 22     |
| ETG-1/2   | 1/2"      | 22     | 74     | 37      | 40      | 27     |
| ETG-3/4   | 3/4"      | 27     | 80     | 40      | 46      | 32     |
| ETG-1     | 1"        | 33     | 96     | 48      | 50      | 38     |
| ETG-1 1/4 | 1 1/4"    | 41     | 104    | 52      | 54      | 50     |
| ETG-1 1/2 | 1 1/2"    | 48     | 118    | 59      | 65      | 60     |
| ETG-2     | 2"        | 58     | 121    | 60,5    | 70      | 70     |

### Beállítható T – csavarzatok („L”) BSP colos menettel

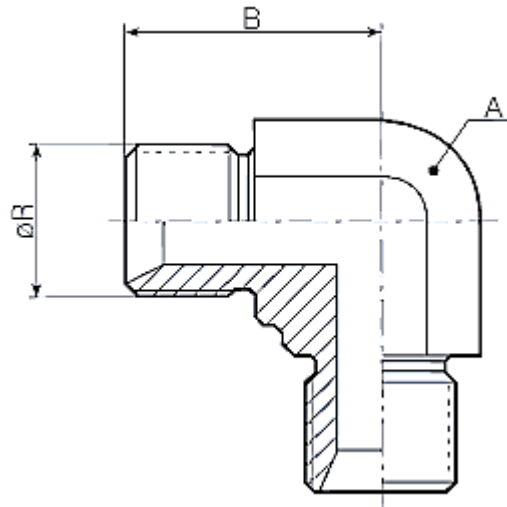


### Műszaki paraméterek:

| Cikkszám  | Menet (R) | A [mm] | B [mm] | C1 [mm] | C2 [mm] | D [mm] |
|-----------|-----------|--------|--------|---------|---------|--------|
| ELG-1/8   | 1/8"      | 11     | 43,5   | 20      | 23,5    | 14     |
| ELG-1/4   | 1/4"      | 14     | 56     | 27      | 29      | 18     |
| ELG-3/8   | 3/8"      | 19     | 64     | 30      | 34      | 22     |
| ELG-1/2   | 1/2"      | 22     | 77     | 37      | 40      | 27     |
| ELG-3/4   | 3/4"      | 27     | 86     | 40      | 46      | 32     |
| ELG-1     | 1"        | 33     | 98     | 48      | 50      | 38     |
| ELG-1 1/4 | 1 1/4"    | 41     | 106    | 52      | 54      | 50     |
| ELG-1 1/2 | 1 1/2"    | 48     | 124    | 59      | 65      | 60     |
| ELG-2     | 2"        | 58     | 130,5  | 60,5    | 70      | 70     |



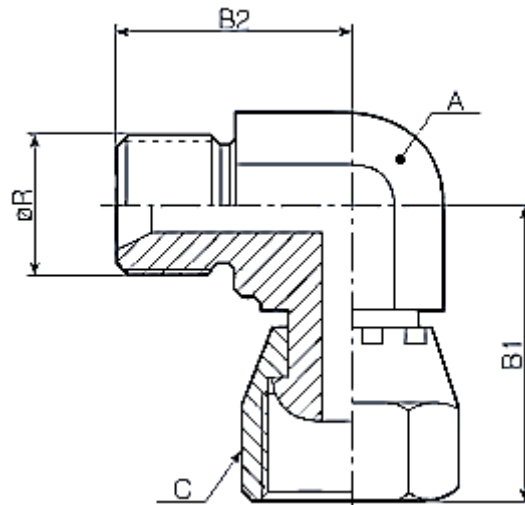
**Könyökös, külső menetes csavarzatok BSP colos menettel**



**Műszaki paraméterek:**

| Cikkszám | Menet (R) | A [mm] | B [mm] |
|----------|-----------|--------|--------|
| WG-1/8   | 1/8"      | 11     | 20     |
| WG-1/4   | 1/4"      | 14     | 27     |
| WG-3/8   | 3/8"      | 19     | 30     |
| WG-1/2   | 1/2"      | 22     | 37     |
| WG-3/4   | 3/4"      | 27     | 40     |
| WG-1     | 1"        | 33     | 48     |
| WG-1 1/4 | 1 1/4"    | 41     | 52     |
| WG-1 1/2 | 1 1/2"    | 48     | 59     |
| WG-2     | 2"        | 58     | 60,5   |

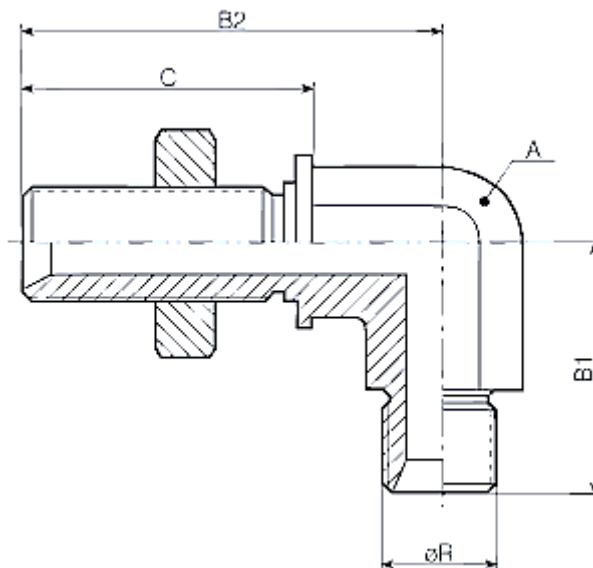
### Beállítható könyökös csavarzatok BSP colos menettel



### Műszaki paraméterek:

| Cikkszám  | Menet (R) | A [mm] | B1 [mm] | B2 [mm] | C [mm] |
|-----------|-----------|--------|---------|---------|--------|
| EWG-1/8   | 1/8"      | 11     | 23,5    | 20      | 14     |
| EWG-1/4   | 1/4"      | 14     | 29      | 27      | 18     |
| EWG-3/8   | 3/8"      | 19     | 34      | 30      | 22     |
| EWG-1/2   | 1/2"      | 22     | 40      | 37      | 27     |
| EWG-3/4   | 3/4"      | 27     | 46      | 40      | 32     |
| EWG-1     | 1"        | 33     | 50      | 48      | 38     |
| EWG-1 1/4 | 1 1/4"    | 41     | 54      | 52      | 50     |
| EWG-1 1/2 | 1 1/2"    | 48     | 65      | 59      | 60     |
| EWG-2     | 2"        | 58     | 70      | 60,5    | 70     |

### Könyökös, szerelőfalas csavarzatok BSP colos menettel



### Műszaki paraméterek:

| Cikkszám  | Menet (R) | A [mm] | B1 [mm] | B2 [mm] | C [mm] |
|-----------|-----------|--------|---------|---------|--------|
| WSG-1/8   | 1/8"      | 11     | 20      | 40,5    | 28,5   |
| WSG-1/4   | 1/4"      | 14     | 27      | 46      | 30     |
| WSG-3/8   | 3/8"      | 19     | 30      | 53,5    | 35     |
| WSG-1/2   | 1/2"      | 22     | 37      | 60,5    | 38,5   |
| WSG-3/4   | 3/4"      | 27     | 40      | 67,5    | 43     |
| WSG-1     | 1"        | 33     | 48      | 71      | 43     |
| WSG-1 1/4 | 1 1/4"    | 41     | 52      | 79      | 44     |